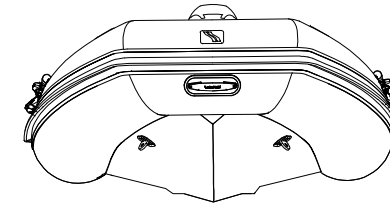
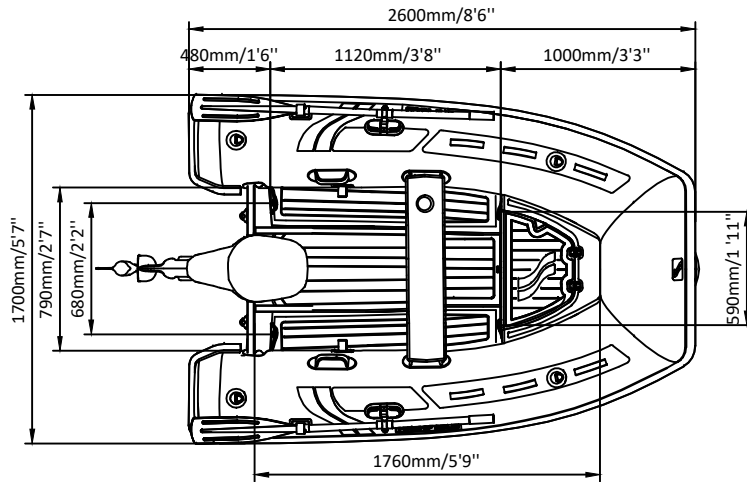
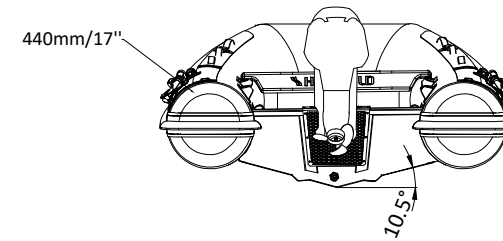
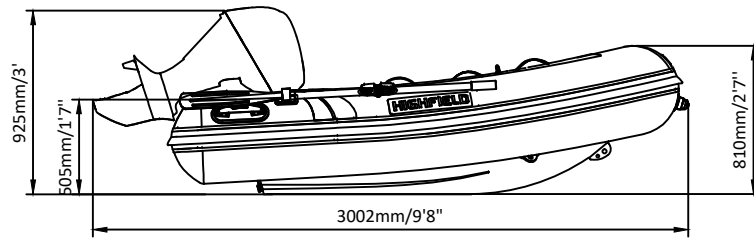


CLASSIC 260

(Short Shaft)

SPECIFICATIONS



SPECIFICATIONS AND MAXIMUM CAPACITIES (Subject to change without notice. Tolerances: Dimensions ±2.5% Weight ±5%) Note: red means lifting eyes.

MODEL	ISO 6185 PART	ISO 6185			#			 Outboard Engine	 Shaft	 Max power		 Max weight		 Molded seat		 Oars		 Fuel tank Capacity		 Wet Weight (Approximate) 15HP (11.19KW)		 AIR CHAMBERS						
			KG	LB		KG	LB			KW	HP	KG	LB	KG	LB	/	/	L	GAL	KG	LB		PSI	BAR				
CL260	2	C	360	794	3+1	263	579	S		11.19	15	60	132	54	119	3	6.6	1.5	3.3	/	/	/	/	118	262	3	3.63	0.25

Weight: boat only.

2021V6